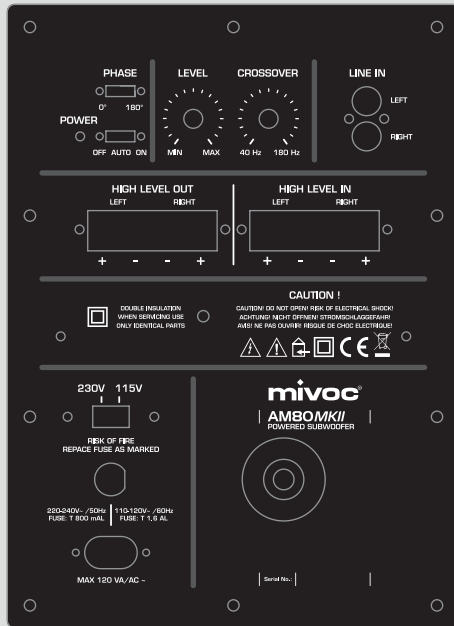


AM80MKII

HIFI SUBWOOFER MODULE



OPERATING MANUAL

SOUND – EXPERIENCE – JOY

When you don't just hear a favourite song or film, but actually feel it, it's a very special experience. It has the power to captivate you completely – It envelops you and draws you fully into the action – You feel all its energy – And then... you realise you're just feeling happy!

BOOM!

WHEN SOUND BECOMES AN EXPERIENCE

Mivoc lets us bring our passion for excellent sound to life within our own four walls. Here, the expertise acquired as a result of decades of experience and our specialist knowledge established through the development of professional loudspeaker systems come together to create a listening experience that is pure joy - and we want to share it with you.

We are delighted that you share our love of sound and have chosen this mivoc product. To ensure that you get the most out of your mivoc product, we have summarised everything you need to know in this operating manual. We wish you lots of fun and many hours of immersive listening!

If you have any questions or would like to find out about other mivoc products, visit the mivoc website at **www.mivoc.com**. You can also reach us at **info@mivoc.com**.

© mivoc*. All rights reserved.

The contents of this document may be modified without prior notice, with a view to improving reliability, function, design or for other reasons.

DE

EN

ES

FR

IT

中文

CONTENTS

NOTES AND INFORMATION	5
Utilisation	5
Graphical symbols	5
Safety instructions	7
PACKAGE CONTENTS	12
Checking the packaging	12
Unpacking and checking the contents	12
MIVOC AM 80MKII AMPLIFIER MODULE	13
Components	13
AM 80MKII connections and settings	14
AM 80MKII HIGH LEVEL connection terminal	15
AM 80MKII LINE IN connection terminal	16
AM 80MKII system settings	17
AM 80MKII power supply	18
MIVOC AM 80MKII INSTALLATION	19
Installation instructions	19
Preparing the speaker cables	20
Connection to the power supply	21
Audio signal connection	22
MIVOC AM 80MKII INSTALLATION	25
Distance to listening position	25
Setting up the AM 80MKII	26
Distance from boundary surfaces	27
TECHNICAL DATA	28
Specifications	28
Installation dimensions	29
MANUFACTURER INFORMATION	30

INSTRUCTIONS AND INFORMATION

USE

This product is a subwoofer amplifier module for DIY speaker construction, intended for use in dry indoor areas in private homes. The amplifier module is designed for a mains voltage of 230 V~/50 Hz or 115 V~/60 Hz. The amplifier module may ONLY be operated if it has been installed in a suitable casing and a speaker chassis has been connected correctly. The installation of the amplifier module requires technical knowledge as well as knowledge of the current regulations and safety measures for handling electrically powered devices.

For operation, the finished DIY subwoofer can be connected to audio outputs with a low level or speaker outputs of audio devices. Incoming audio signals are processed, amplified and finally reproduced as an audible sound event. Only use the amplifier module as described in this manual to ensure optimum and safe operation. Use for purposes other than those intended or other than those described in this manual may result in personal injury or damage to property.

GRAPHIC SYMBOLS

The product features graphic symbols. These symbols represent handling instructions that must be observed and indications of conformity with relevant directives.



The CE mark indicates conformity with the applicable EU directives regarding safety, health and environmental protection.



Symbol indicating compliance with Directive 2002/96/EC and Directive 2003/108/EC of the European Parliament on waste electrical and electronic equipment (WEEE).



This symbol indicates important operating and maintenance instructions that must be observed.



This symbol indicates that the product requires an electrical power supply and contains active electronic components. You must observe and follow the instructions when handling this electrical appliance.

DE

EN

ES

FR

IT

中文

You will encounter a number of graphic symbols in this manual. These symbols indicate important information and helpful hints.



This symbol indicates important operating and maintenance instructions that must be observed.



This symbol indicates that there are important operating and safety instructions that you must observe and follow in order to minimise the risk of personal injury and damage to property.



This symbol indicates that the relevant text passage contains worthwhile and helpful information concerning the product.



This symbol provides practical tips and ideas for the correct handling of the product.

SAFETY INSTRUCTIONS

Be sure to observe the following safety instructions. This way, you can use your product safely and enjoy listening to music for a long time.

1. Read these operating instructions carefully and keep it in a safe place so that you can refer to it if necessary.

2. **Some mivoc products have small removable parts. Ensure that children do not have unsupervised access to mivoc products. Small parts pose a risk of swallowing and can cause injury or suffocation.**

3. **Do not allow children to play with the product or its packaging. There is a risk of injury and suffocation.**

4. Use only accessories recommended by mivoc.

5. Ensure correct cabling and commissioning.

6. mivoc products contain magnets or components of varying strength that generate a magnetic field around the product, which can have a negative effect on other devices (e.g. computers) or medical implants (e.g. pacemakers). Do not place any computer products on top of or in the immediate vicinity of your mivoc product and check with your doctor in advance if you have medical implants.

7. **Listening to loud audio for prolonged periods of time can lead to hearing damage and mental impairment. Please also be considerate of other household members, neighbours and pets.**

8. Do not touch the technical components or the inside of your mivoc product (membrane, bass reflex opening, connection contacts, ventilation openings, etc.). Doing so could damage parts, and you could also injure yourself.

9. Please switch off your mivoc product and other connected devices (amplifiers, players, etc.) and disconnect them from the power supply before performing any wiring work. This reduces the risk of electric shock or other damage or injury.

10. Only place this product on a firm surface and make sure that it cannot fall down or fall over.

11. Do not allow loudspeaker or other power and signal cables to form tripping hazards.

DE

EN

ES

FR

IT

中文

-
12. Make sure that your mivoc product is positioned at least 50 cm away from heat sources (radiators, amplifiers, fireplace, candles, etc.). Insufficient distance from heat sources can cause malfunctions, damage or fire.
-
13. Ensure that your mivoc product is not exposed to direct sunlight. Direct sunlight can result in high heat absorption. This can lead to malfunctions, damage or fire.
-
14. Ensure that your mivoc product is sufficiently ventilated during operation and keep it at least 10 cm away from other objects.
-
15. Do not cover the product with blankets, curtains, magazines or other objects.
-
16. Do not place any containers holding liquids on or near your mivoc product.
-
17. Check your mivoc product regularly for external damage and correct cabling.
-
18. Do not use cleaning agents to clean the unit. A duster or a slightly damp cloth is sufficient. Ensure that no liquid gets into your mivoc product or comes into contact with the connections. Switch off your mivoc product and other connected devices (amplifiers, players, etc.) and disconnect them from the power supply before cleaning.
-
19. Do not remove any casing components or other parts from your product. There are no parts inside that you can service yourself.
-
20. For your own safety and that of third parties, do not modify your mivoc product, either in part or in whole, (by adding, modifying or removing components, etc.).
-
21. **Always observe the safety and operating instructions for the other devices that you connect to your mivoc product.**
-

When the product has reached the end of its service life, please take it to the collection point specified by the local authorities for disposal and recycling. By so doing, you help to conserve natural resources, protect human and animal health and preserve our environment.



Make sure that the signal reproduction via the subwoofer sounds interference-free in every situation. There should be no unwanted distortions, unusual noises or unwanted sound colouration. Ensure that there is no smell of burning and that no smoke is produced. Do not use your subwoofer under such conditions, as this could result in damage (risk of injury, damage to health, fire, damage to the loudspeaker or connected devices, etc.). In such cases, contact your mivoc dealer or mivoc support immediately.



High sound volumes or sudden loud sounds can cause hearing damage and other health impairments. Before each time you use the unit, first set the volume back to minimum, and from there you can then set it to your preferred listening level.

DE

EN

ES

FR

IT

中文



IMPROPER USE CAN CAUSE ELECTRIC SHOCK, FIRE HAZARD AND OTHER HEALTH RISKS. Follow the basic precautions listed here to minimise or avoid the risk of serious injury or even death from electric shock, short circuits, damage, fire or other hazards. These precautionary measures include the following points, among others:

1. Only connect your mivoc product to a proper mains socket (230 V~/50 Hz or 115V~/60 Hz) for the power supply.
2. Ensure that the power cable is not crushed or damaged in any other way.
3. Ensure that the socket and the power cable connection to your product are undamaged.
4. Never touch the mains plug or the power connection of your mivoc product with wet or damp hands.
5. Never leave children near the product unattended. Children are unable to assess the dangers when using electrical appliances.
6. Do not bypass any protective device intended to prevent personal injury or damage to property caused by electricity.
7. Note the total possible load on your mains socket (power supply).
8. Observe the operating instructions for accessories and the power supply (e.g. multiple socket strips, peripheral devices, etc.).
9. Disconnect the product from the power supply during thunderstorms or if it will not be used for an extended period.
10. Do not leave your product unattended while in operation.
11. Leave all maintenance work and repairs to qualified service personnel. (e.g. if the mains plug is damaged, liquid has been spilt or objects have fallen into the appliance, or if the appliance has been exposed to rain or moisture, does not operate normally or has been damaged by a fall).



ONLY USE THE PRODUCT AFTER YOU HAVE THOROUGHLY FAMILIARISED YOURSELF WITH THE DANGERS POSED BY ELECTRICALLY POWERED DEVICES.



ONLY USE THE PRODUCT IN ITS UNDAMAGED AND ORIGINAL CONDITION.



OBSERVE LOCAL, STATUTORY AND OFFICIAL RULES AND REGULATIONS REGARDING THE USE OF ELECTRICALLY POWERED DEVICES.



FOLLOW ALL INSTRUCTIONS AND DIRECTIONS IN THIS OPERATING MANUAL. IF YOU HAVE ANY QUESTIONS OR QUERIES, PLEASE CONTACT YOUR MIVOC DEALER OR MIVOC SUPPORT.



THIS PRODUCT MAY ONLY BE USED IF IT HAS BEEN PROFESSIONALLY INSTALLED IN A SUITABLE CASING.



THIS PRODUCT MUST BE INSTALLED FREE OF CURRENT/VOLTAGE. ALSO NOTE THAT COMPONENTS SUCH AS CAPACITORS, ETC. CAN REMAIN CHARGED FOR LONG PERIODS OF TIME. ALWAYS CHECK THAT THERE IS NO VOLTAGE BEFORE INSTALLING OR REMOVING THE PRODUCT.



SPECIALIST ELECTRICAL ENGINEERING KNOWLEDGE IS REQUIRED FOR THE SAFE HANDLING OF THIS PRODUCT. IF YOU DO NOT HAVE THE RELEVANT EXPERTISE, DO NOT USE THIS PRODUCT.

DE

EN

ES

FR

IT

中文

PACKAGE CONTENTS

Your mivoc product is supplied with the following items:

- 1 mivoc product
- 1 Quick start information

CHECKING THE PACKAGING

Please check the condition of the packaging of your product before you unpack it. If the packaging has been damaged during transport, remove the product from the packaging (as described below) and check it for visible damage before using it. Notify the delivery company immediately and contact your mivoc dealer or mivoc support for help and assistance. Carefully document any damage. Keep the shipping carton as evidence in the event of a complaint, which only you can lodge.

We generally recommend that you retain all packaging material and contents in case you need to transport the unit again in future.

UNPACKING AND CHECKING THE CONTENTS

Carefully open the packaging. Take care not to damage the contents with pointed or sharp objects (scissors, knives) that you use to open the packaging. Remove the padding and protective material on top and lift the product out of the packaging. Do not exert any pressure on the external technical components (e.g. membrane, connection terminal, etc.). Check the contents of the packaging for completeness and damage. If you notice any damage, contact your mivoc dealer or mivoc support immediately before using the product and clarify how to proceed.



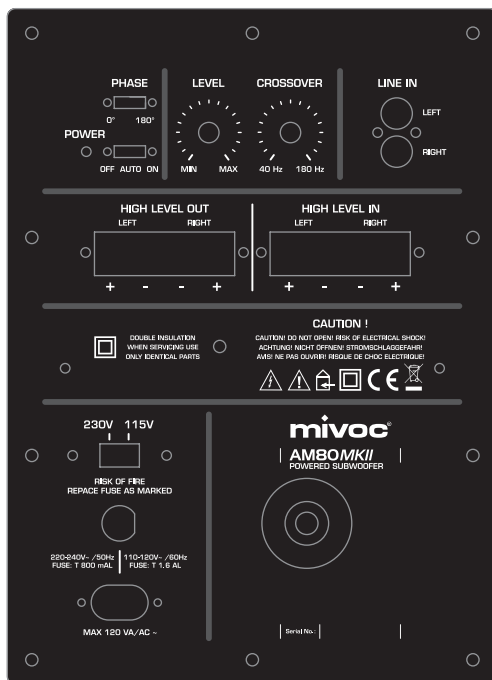
Open the packaging on the floor. This way, you can prevent your mivoc product from falling when lifting it out.



Allow your mivoc product to come to room temperature after unpacking (or if it has recently been in transit) before switching it on. You can set up and connect everything according to the manual, but wait a little longer before enjoying the sound of your new system for the first time.

MIVOC AM 80MKII AMPLIFIER MODULE

The active module delivers 80 watts (rms) into 4 ohms and is very stable and virtually hum-free in operation thanks to the toroidal transformer. The AM 80 MK II subwoofer module offers both RCA sockets (Line In) and connection terminals (High Level IN from the hi-fi amplifier), with the signal being looped through to the High Level Out unfiltered. It was specifically developed for woofers with a diameter of up to 25 cm and offers flexible customisation options with a frequency transmission range of 30–180 Hz and a steplessly adjustable crossover frequency of 40–180 Hz. With an internal and fixed bass boost of around 3 dB at 37 Hz, a subsonic filter at 30 Hz (18 dB slope), a phase switch, an automatic on/off switch, the AM 80 MK II is a proven amplifier module for sound quality and user-friendliness.



DE

EN

ES

FR

IT

中文

AM 80MKII CONNECTIONS AND SETTINGS

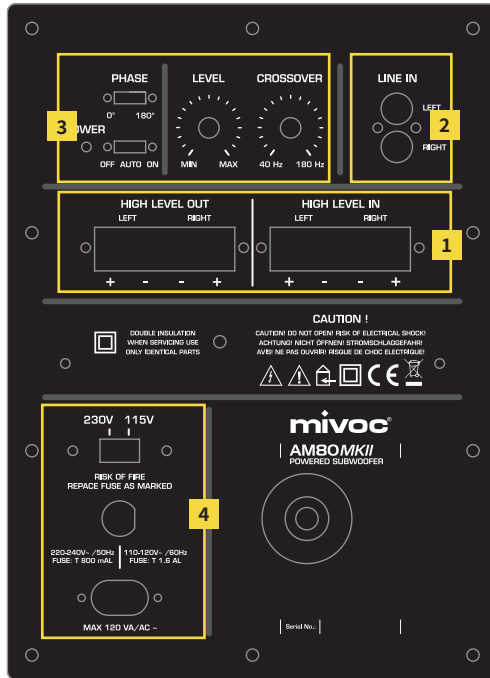


Figure 2. AM 80MKII – connection terminal

- 1 HIGH LEVEL connection terminal
- 2 LINE IN connection terminal
- 3 System settings
- 4 Power supply



The speaker terminals can accommodate cables with a cross-section of up to 2.5 mm² or plugs with a diameter of up to 4 mm.

AM 80MKII HIGH LEVEL CONNECTION TERMINAL

If no separate subwoofer output or pre-out (preamplifier output) is available, you can connect your main system (receiver, hi-fi system, stereo amplifier, etc.) to the AM 80MKII subwoofer module (High Level In) via its speaker outputs. Connect your stereo speakers (e.g. mivoc HM5) to the speaker outputs (High Level Out). The music signal from the High Level input is forwarded to the High Level output.

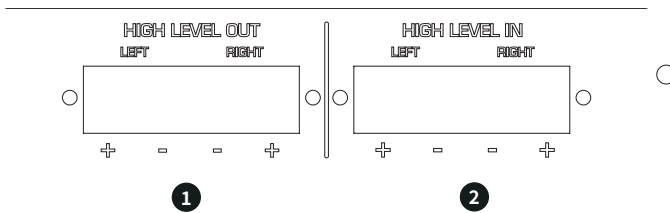


Figure 3. AM 80MKII – High Level in/out

- 1 Positive and negative connection terminals for left and right High Level output (out)
- 2 Positive and negative terminals for left and right High Level input (in)



NEVER USE THE "LINE IN INPUTS" AND THE "HIGH LEVEL IN" AT THE SAME TIME. MAKE SURE THAT YOUR MAIN SYSTEM IS DESIGNED FOR THE CONNECTION OF LOADS BETWEEN 4 OHM AND 16 OHM. FAILURE TO DO SO MAY RESULT IN DAMAGE TO ALL CONNECTED DEVICES, PERSONAL INJURY (ELECTRIC SHOCK) OR OVERLOADING (FIRE, SHORT CIRCUIT, ETC.).



ENSURE THAT THE STEREO SPEAKERS CONNECTED TO THE HIGH LEVEL OUTPUT (HIGH LEVEL OUT) HAVE A NOMINAL IMPEDANCE BETWEEN 4 OHM AND 16 OHM.

DE

EN

ES

FR

IT

中文

AM 80MKII LINE IN CONNECTION TERMINAL

You can connect your main system (receiver, hi-fi system, stereo amplifier, etc.) via its subwoofer output or the pre-out connection (preamplifier output) to the Line In input of the AM 80MKII.

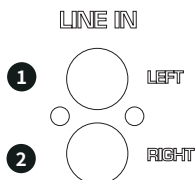


Figure 4. AM 80MKII – Line in.

- 1 RCA socket (white) for left line level input signal.
- 2 RCA socket (red) for right line level input signal.



The best signal quality is achieved using shielded signal cables that are specially designed for the transmission of low-level audio signals.



If your main system only has one output (mono) for connecting a subwoofer, connect the output of the main system (pre-out, subwoofer output) to the left Line In input of the AM 80MKII.

AM 80MKII SYSTEM SETTINGS

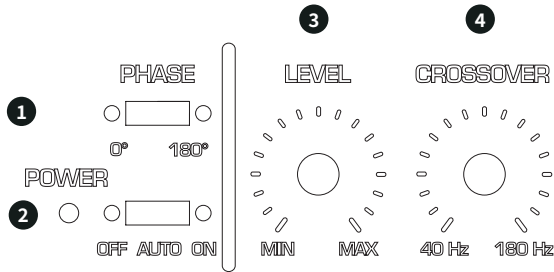


Figure 5. AM 80MKII – system settings

- 1** PHASE (phase reversal switch): The phase reversal switch reverses the polarity. Use the setting (0° or 180°) that gives you the best overall sound from your system.
- 2** POWER (on/off switch)
OFF: The amplifier of the AM 80MKII is switched off
AUTO: The amplifier of the AM 80MKII switches on automatically when a music signal is present.
ON: The amplifier of the AM 80MKII is permanently switched on.
- 3** LEVEL (volume or control for the input sensitivity): Use this control to determine the volume level of the AM 80MKII.
- 4** CROSSOVER (crossover frequency): Determine the crossover frequency of the hYPE 10G2 steplessly between 40 Hz and 180 Hz. Use the setting that gives you the best overall sound from your system.

DE

EN

ES

FR

IT

中文

AM 80MKII POWER SUPPLY

The AM 80MKII is designed for operation on power supply networks with

- a) 220-240 V with 50 Hz
- b) 110-120 V with 60 Hz.

A device fuse is integrated to ensure safe operation. The appropriate fuse must be inserted depending on the mains supply with which the subwoofer is operated. Make sure that you have also selected the correct voltage range for your power supply using the voltage selector switch. A power cable with small appliance plug (C7) and Euro plug is required for the power supply.

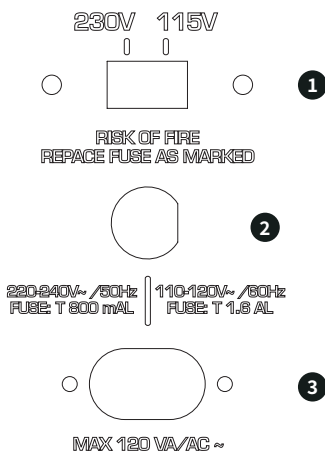


Figure 6. AM 80MKII – Power connection and fuse.

- 1** Voltage selector switch
- 2** Fuse holder
- 3** Power cable connection

MIVOC AM 80MKII INSTALLATION

The AM 80 MK II is designed for active subwoofers and is ideally installed in the rear wall of the casing. It is important to maintain a distance of at least 5 cm from the nearest boundary surface. Also ensure sufficient distance from soundproofing material. A rectangular cut-out measuring 152 x 218 mm is required in the casing for installation. The module is then inserted into this cut-out and screwed into place.

Connect the woofer with the labelled cable that is already attached to the amplifier module at the factory. Pay attention to the correct connection polarity (+ and -).

Please note that the amplifier module may ONLY be operated if it is installed in a casing and a speaker chassis is correctly connected. In addition, the module must NOT be operated in damp rooms. If you use this amplifier module, we assume that you have the necessary technical knowledge and that you follow the current regulations and safety measures for handling electrically powered devices. mivoc is not liable for any damage to health or property that may occur when handling this product if it is used or handled improperly.

DE

EN

ES

FR

IT

中文

PREPARING THE SPEAKER CABLES

If you are integrating your subwoofer into your system via the HIGH LEVEL inputs and outputs, you must first prepare the speaker cables.

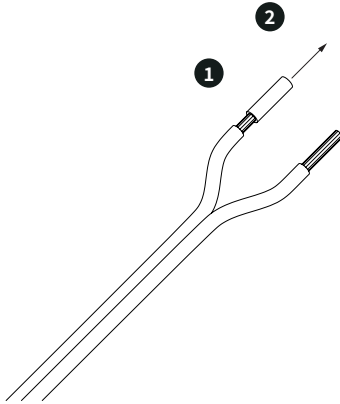


Figure 7a. Stripping the cable.

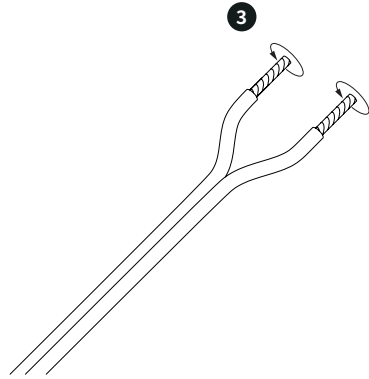


Figure 7b. Twisting the cable ends.

1 2

Remove a piece of the cable insulation at the ends of the speaker cable according to the depth of the connection terminals or the depth of the cable socket of the speaker plug.

3

Twist the cable strands so that no individual wires protrude and a uniform, stable cable end is created.



It is best to use a wire stripper tool. This allows you to strip the cable without damaging the conductors. Follow the instructions for the wire stripper.



If you are using connector plugs, follow the instructions supplied with them to connect the speaker cable to the plugs correctly.

CONNECTION TO THE POWER SUPPLY

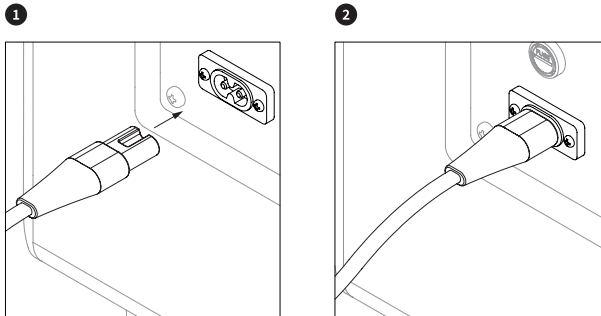


Figure 8. AM 80MKII – Power cable connection

- 1 Use the end of the power cable fitted with the C7 plug.
- 2 Insert the C7 plug into the C7 socket until the plug is fully seated in the socket. When plugging in, ensure that the plug is not tilted and the cable is not kinked.



Only plug the Euro plug of the power cable into a power socket after you have made all other connections (see the following chapters). **Unplug the power cord from the power socket when changing the wiring.**

DE

EN

ES

FR

IT

中文

AUDIO SIGNAL CONNECTION

There are three ways in which you can connect a DIY subwoofer with a built-in Am 80MKII amplifier module to your hi-fi system. Which option is right for you will depend on the connection options offered by your control unit (amplifier, hi-fi system, AV receiver, soundbar, etc.). We recommend that you use option 1 or option 2.

Option 1: Subwoofer output/preamplifier direct output

If your control unit is equipped with a subwoofer output (Sub-Out) or a preamplifier direct output (Pre-Out), you can use the LINE IN inputs of the Am 80MKII.

Connect the sub-out/pre-out of your control unit to the LINE IN of the AM 80MKII using a shielded cinch (RCA) audio cable. When inserting the cinch (RCA) plugs into the cinch (RCA) sockets, ensure you don't bend the plugs or kink the cable.

Option 2: HIGH LEVEL IN/HIGH LEVEL OUT

If your control unit does not have a subwoofer output (Sub-Out) or a preamplifier direct output (Pre-Out), you can use the HIGH LEVEL IN inputs and the HIGH LEVEL OUT outputs of the AM 80MKII as well as the speaker outputs of the control unit. This option enables safe and simple cabling. In this trap, connect your stereo speakers to the HIGH LEVEL OUT outputs of the AM 80MKII (follow the instructions below).

Connect the left speaker output of your control unit to the left HIGH LEVEL IN of the Am 80MKII using a speaker cable. Use a second speaker cable to connect the left HIGH LEVEL OUT of the AM 80MKII to one of your stereo speakers (L). Ensure that you connect the connections labelled with minus (-) to each other and the connections labelled with plus (+) to each other.

Connect the right speaker output of your control unit to the right HIGH LEVEL IN of the AM 80MKII using a speaker cable. Use a second speaker cable to connect the right HIGH LEVEL OUT of the AM 80MKII to your second stereo speaker (R). Ensure that you connect the connections labelled with minus (-) to each other and the connections labelled with plus (+) to each other.

Option 3: HIGH LEVEL IN/Parallel operation

If your control unit does not have a subwoofer output (Sub-Out) or a preamplifier direct output (Pre-Out), you can use the HIGH LEVEL IN inputs of the AM 80MKII and the speaker outputs of the control unit. Connect your stereo speakers in parallel to the AM 80MKII to the speaker outputs of your control unit. You can use this option if the control unit's speaker outputs are large enough to accommodate two speaker cables on one connection and if the control unit is able to work with the resulting total impedance (see the notes below).

Connect the left speaker output of your control unit to the left HIGH LEVEL IN of the Am 80MKII using a speaker cable. Use a second speaker cable to connect the same left speaker output of your control unit to one of your stereo speakers (L). Ensure that you connect the connections labelled with minus (-) to each other and the connections labelled with plus (+) to each other.

Then connect the right speaker output of your control unit to the right HIGH LEVEL IN of the hYPE 10G2 using a speaker cable. Use a second speaker cable to connect the same right speaker output of your control unit to the second stereo speaker (R). Ensure that you connect the connections labelled with minus (-) to each other and the connections labelled with plus (+) to each other.

If you connect two speakers in parallel, the total impedance is reduced: The total impedance of two 8 Ohm loudspeakers connected in parallel is 4 Ohm. If you connect two 4 Ohm speakers in parallel, the total impedance is reduced to 2 Ohm.



Your control unit (e.g. amplifier) must be able to cope with the new total impedance. How low the minimum impedance can be is specified in the operating instructions for your control unit, and usually on the device itself as well.

Ensure that the impedance of your speakers or the total impedance in a parallel connection is equal to or greater than the minimum impedance of your control unit.

DE

EN

ES

FR

IT

中文

IMPORTANT INFORMATION

Replacing the fuse.

If the fuse blows as a protective function or when you make the adjustment to your power supply, you must replace the fuse. **ONLY use the same type of fuse and observe the information on your AM 80MKII.** Follow the steps below to replace the fuse.



THE SUBWOOFER MUST BE POWERED OFF WHEN CHANGING THE FUSE. THEREFORE, UNPLUG THE MAINS PLUG FROM THE MAINS SOCKET. DO NOT REACH INTO THE FUSE HOLDER AND DO NOT INSERT THE SCREW-DRIVER.

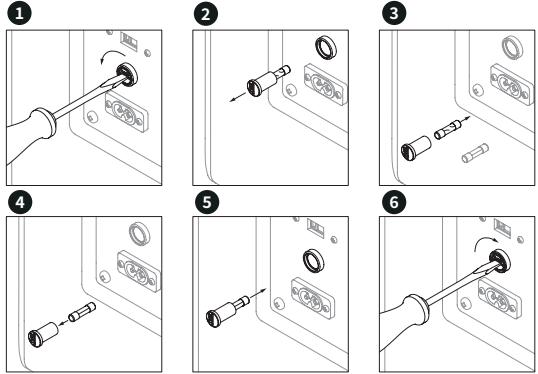


Figure 9. AM 80MKII – Changing fuses

Speaker and audio cable connection.

Depending on the option selected, speaker cables or audio cables (RCA) are used for the signal connection. Below you can see how to connect the cables to your hYPE 10G2.

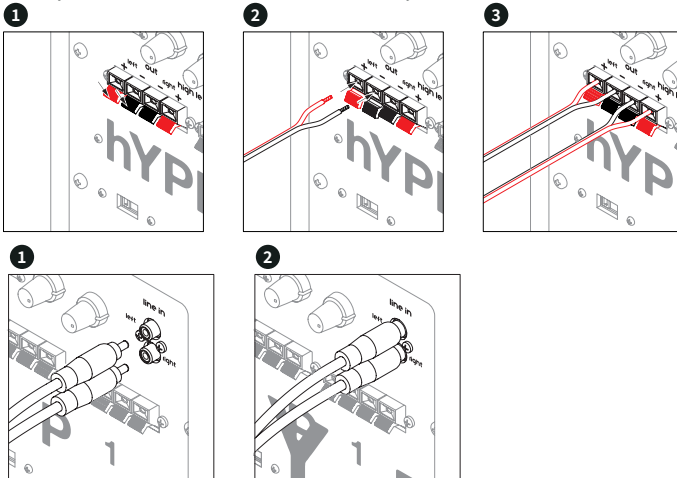


Figure 10. AM 80MKII and hYPE 10G2 – Connection of speaker and audio cables

AM 80MKII SUBWOOFER SETUP

The following section provides you with a manual on how to set up your self-built subwoofer with AM 80MKII amplifier module for an optimal listening experience.

DISTANCE TO LISTENING POSITION

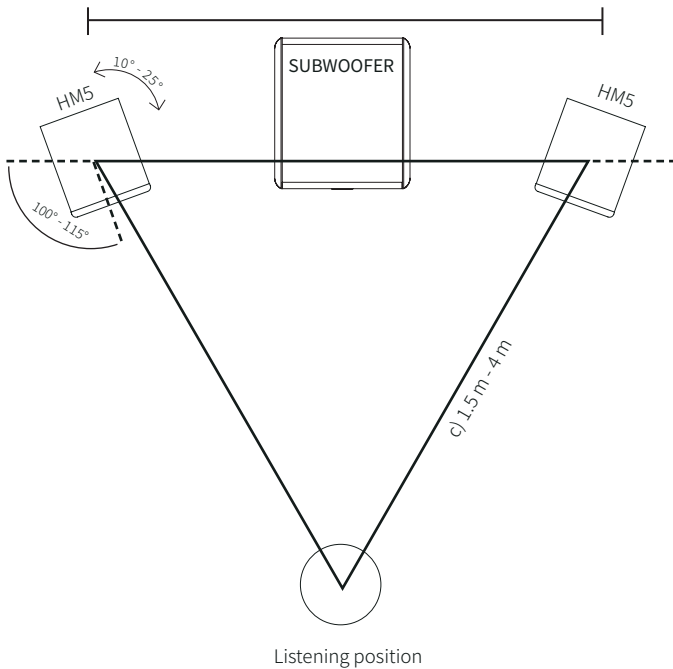


Figure 11. DIY subwoofer with AM 80MKII – Setup

The best position for your subwoofer may vary depending on the room size and installation location. The position and type of your stereo speakers also have an influence on the setup. For best results, place the subwoofer in front of you, along the reference axis. Position your subwoofer in the centre in front of you or on the far left or right below or directly next to one of your speakers (satellite/top). If you are positioning the subwoofer sideways, align the subwoofer according to the orientation of the speakers (slightly turned in).

DE

EN

ES

FR

IT

中文

SETTING UP THE AM 80MKII

Once you have placed the subwoofer in its intended position, you can configure the system settings. For the initial tuning, you can follow the list below step-by-step. If possible, ask someone for help. This will allow you to evaluate changes in the sound while your assistant applies the settings.

- 1 Connect your subwoofer to your main system (e.g. hi-fi system, soundbar, etc.) according to this manual.
- 2 Connect the subwoofer to the power supply. Observe the safety instructions in the previous chapters.
- 3 Before you switch on the subwoofer with the power switch, turn the level control to the lowest value (left stop: level = min) and set the crossover control to the centre.
- 4 Set the "Power" switch to "on". (After installing and configuring the settings, you can also set the "Power" switch to the "Auto" setting)
- 5 Play a music track that you know well and set a comfortable listening volume.
- 6 Now slowly turn the level control to the right until the playback of the subwoofer complements the playback of the speakers (satellites/tops) and you generally like the sound.
- 7 Change the crossover setting by slowly turning the control to the left and then slowly to the right. Leave the control set to the position that produces the best sound.
- 8 You can now set the "Phase" switch from 0° to 180°. If the audio sounds better at the listening position with this setting, then use this setting. If it doesn't sound any better, set the switch back to 0°.
- 9 If you change the location of your subwoofer, perform the tuning again according to this manual.



If possible, do not place your subwoofer directly against a wall or in a corner. These positions can have a noticeable negative effect on the sound. Also ensure that your subwoofer does not touch any other objects. If you have the impression that the floor or neighbouring surfaces are being caused to vibrate excessively, it is helpful to set the subwoofer to "shock absorber/resonance damper" mode. Experiment a little with the location of your subwoofer. Since every room and every listening environment is different, there is no universally correct position – correct positioning is room-specific.

DISTANCE FROM BOUNDARY SURFACES

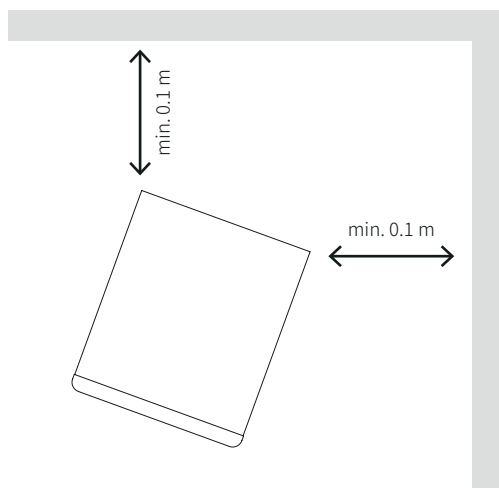


Figure 12. DIY subwoofer with AM 80MKII – minimum distance to boundary surfaces.

When positioning your subwoofer, ensure that the distance between the rear of the speaker and neighbouring walls is not less than 10 cm. This will ensure that your subwoofer is working properly.



You will get the best sound if you position the subwoofer so that it is 0.5 metres or more away from adjacent walls or larger objects with a large surface area, such as cabinets. This will improve the sound quality in your room.

DE

EN

ES

FR

IT

中文

TECHNICAL DATA

AM 80MKII SPECIFICATIONS

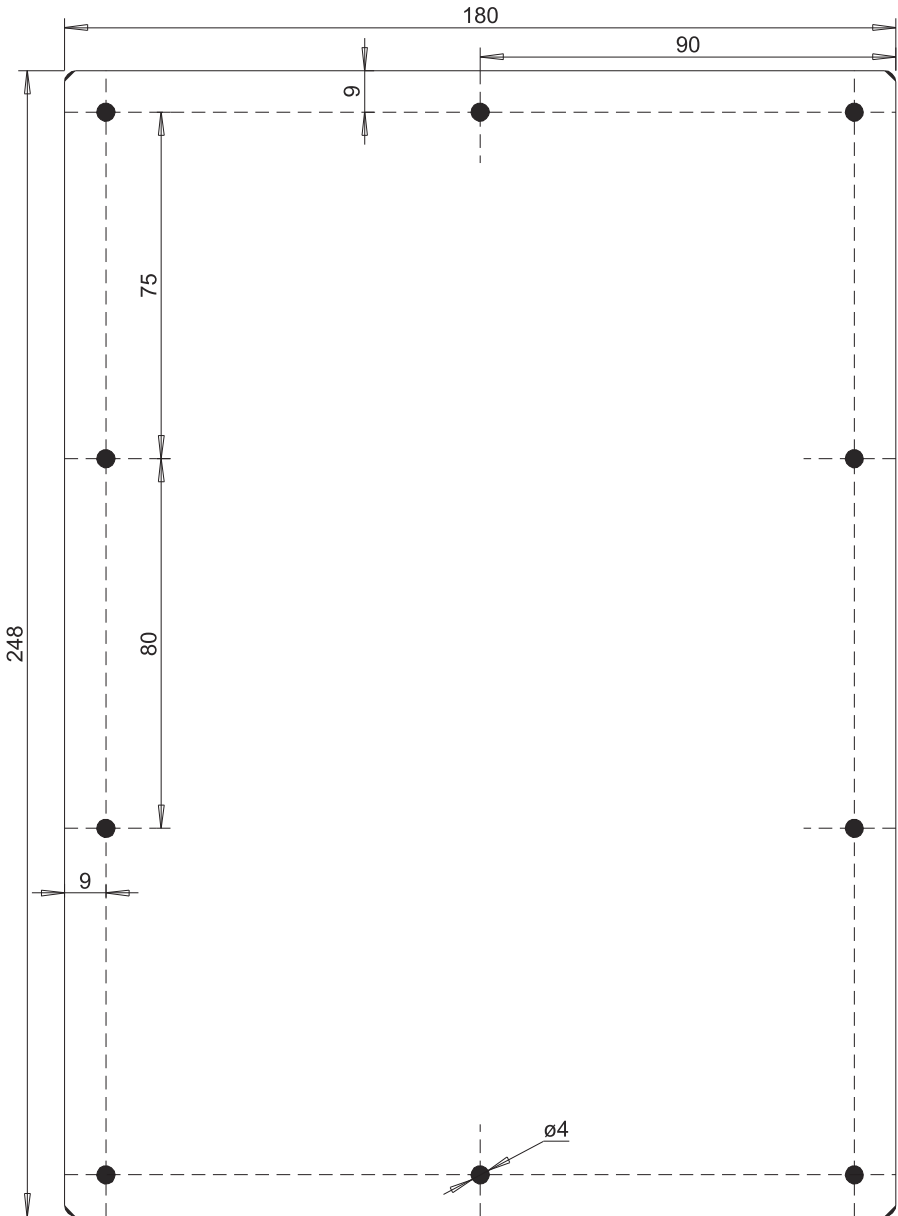
ELECTRO-ACOUSTIC DATA

Frequency range	23 Hz – 180 Hz
Adjustable crossover frequency	40 Hz – 180 Hz
Output power	150 W (programme)/80 W (rms)
Transducer	Suitable for woofers up to 10" (25 cm)
Equipment	Phase (0°, 180°) Automatic on/off switch (on, auto, off) Subsonic filter Low-pass filter with crossover frequency adjustable from 40 Hz - 180 Hz Adjustable volume (level)
Inputs	Stereo HIGH LEVEL (4-16 Ohm) Mono/stereo RCA (cinch)
Outputs	Stereo HIGH LEVEL (4 - 16 Ohm)
Controls	Level controller Crossover controller Phase switch Power switch Mains voltage switch (230 V, 115 V)
Operating voltage,	switchable, 220 - 240 VAC / 50 Hz or 110 - 120 VAC / 60 Hz
Power connection	Euro plug CEE 7/16 (type C), max. 120 VA/AC

MECHANICAL DATA

Product dimensions [W x H x D]	180 x 248 x 85 mm
Cut-out dimensions for installation [W x H]	152 x 218 mm
Weight	1.9 kg
Weight with packaging:	2.6 kg

INSTALLATION DIMENSIONS



Dimensions in mm

- DE
- EN**
- ES
- FR
- IT
- 中文

MANUFACTURER INFORMATION

WARRANTY

mivoc provides a 2-year warranty on mivoc products. The warranty period begins on the date of purchase. The warranty applies to material or production defects. During the warranty period, defective components or products will be repaired or replaced free of charge by mivoc at its own discretion.

TRANSFER OF WARRANTY

The warranty granted is transferable during the warranty period. A copy of the original proof of purchase is required when transferring the warranty.

NOTE

mivoc does not guarantee the uninterrupted and fault-free operation of its products.

The warranty does not apply:

- To wear parts or natural wear and tear.
- To damage, defects or malfunctions caused by improper use or use other than the intended purpose.
- For damage, defects or malfunctions caused by the application of force or by environmental conditions.
- In case of unauthorised repair attempts.

REQUESTING WARRANTY SERVICES

Requests for warranty services can be submitted to mivoc or to the dealer from whom the mivoc products were purchased.

Contact

Neuenhofer Strasse 42-44

42657 Solingen

Germany

Telephone +49 212 382 26-0

E-mail info@mivoc.com

Proof of purchase is required when claiming warranty services. In addition, you must allow mivoc the opportunity to verify the warranty claim (e.g. by sending in the products or by means of an inspection by an authorised partner). Without proof of purchase, provision of a warranty service may be refused. In the case of an extended warranty period, proof of product registration must also be provided.

IMPORTANT NOTE

Your statutory warranty rights are not affected by this warranty. Furthermore, this warranty has no influence on any agreements made with a dealer.

LIMITATION OF LIABILITY

mivoc shall not be liable for personal injury or damage to property, or for claims arising from unsuitable, dangerous or improper use of the products.

EU DECLARATION OF CONFORMITY

mivoc devices comply with the basic requirements and other relevant specifications of the European Union directives. This declaration in detail and the list of these directives and harmonised standards are available on the website www.mivoc.com. This applies for all product variants, provided that they correspond to the original technical design and have not been subsequently modified mechanically, electrically or in their original condition.

CORRECT DISPOSAL OF PRODUCTS (ELECTRONIC WASTE)

(Applicable in the European Union and all countries with separated waste collection systems).



To prevent possible harm to the environment or to human health, mivoc products must not be disposed of with other waste at the end of their service life.

Domestic users can either contact the dealer from whom they purchased the products or their local authority to obtain information on environmentally sound disposal. Commercial users can contact their supplier or an official local authority if they have any questions regarding disposal.

EXPLANATION CONCERNING WEEE

mivoc products are developed and manufactured using high-quality materials and components that are designed to be recyclable and/or reusable.

mivoc, as a trade mark of speaker trade, is registered in accordance with the WEEE Directive.

LICENCES AND COPYRIGHT

mivoc products may directly or indirectly contain software that is necessary for their use or is provided as an add-on. These software components may be mivoc's own developments, or licensed or open-source products and solutions or a combination of the above. In the case of open-source licences, mivoc will provide a copy of the source code and the full text of the corresponding licence in accordance with the licence conditions on request. Excluded from this and protected by copyright are proprietary and licensed software solutions and software components.



HEAD OFFICE

Neuenhofer Strasse 42-44
42657 Solingen, Germany

+49 212 382 26-0
info@mivoc.com

www.mivoc.com



Designed in Germany
Version 2025/01

mivoc, All rights reserved. The technical data and functional product features are subject to change.

Photocopying, translating or any other form of reproduction of sections or of the entirety of the user manual is prohibited.

© mivoc is a registered trademark of speaker trade e.K., Neuenhofer Strasse 42-44, 42657 Solingen, Germany